

Incl. special nozzle NF 125
and fanjet nozzle TPU 8002 PP

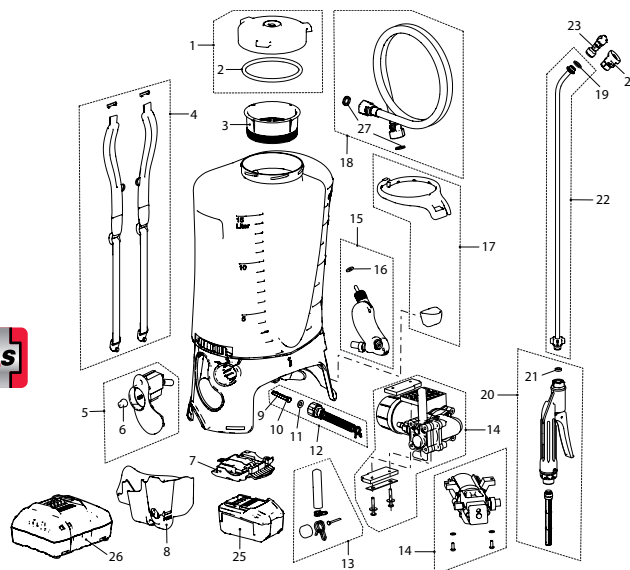
**ACCU
POWER**



REB 15 DC1



REC 15 DC1



REB 15 DC1, backpack sprayer (15 litres) with battery pack, with charger EU	12095001	011585
REC 15 DC1, backpack sprayer (15 litres) with battery pack, with charger EU	12094601	011516
Accessories (Pictures see page 78 ff)		
AS 1200 AC1, battery spray blower (incl. battery carrying unit)	12118001	014319
Spray tube 1 m, stainless steel, G1/4"e-G1/4"e	11669802	110578
Foam nozzle G1/4"i	11688701	040561
No	Gasket set consisting of:	
2	Gasket 108x7	
9	Filter	
10	Gasket 15x7x1.5	
11	Gasket 16x8x2	
16	Gasket 15x5.5x2	
21	Gasket 12.2x7x3	
27	Gasket 18.5x12x2	
No	Spare parts	For model
1	Lid ø137 mm	REB / REC
3	Filter screen	REB / REC
4	Carrying belt (pair)	REB / REC
5	Electronic	REB
5	Electronic	REC
6	Potentiometer knob, minimum order qty. 5 pcs	REB / REC
7	Battery fixing plate	REB / REC
8	Motor cover complete	REC
12	Suction tube	REC
13	Diaphragm and pulsation damper set	REC
14	Pump and motor	REB
14	Pump and motor	REC
15	Air vessel	REB
15	Air vessel	REC
17	Spray tube holder	REB / REC
18	Hose 1.3 m, G1/2"-G1/2", oil resistant	REB / REC
19	Gasket 17x11x1.5; 10 pcs per pack	REB / REC
20	Trigger Profi G1/2"	REB / REC
	<i>Gasket set for trigger</i>	REB / REC
21	Gasket 12.2x7x3; 12 pcs per pack	REB / REC
22	Spray tube 50 cm curved, stainless steel	REB / REC
23	Special nozzle NF 125, G1/4"i	REB / REC
24	Fanjet nozzle G1/4"i, TPU 8002 PP, Viton (grey)	REB / REC
25	Battery pack 18 V Li-Power / 2.0 Ah *	REB
25	Battery pack 18 V Li-Power / 4.0 Ah *	REC
26	Charger SC 30, 220-240 V, EU - plug type C *	REB
26	Quick charger ASC 55, 220-240 V, EU - plug type C *	REC

* Further information about the battery packs (2.0 - 10.0 Ah) and chargers, see page 8 / 79 / 80