

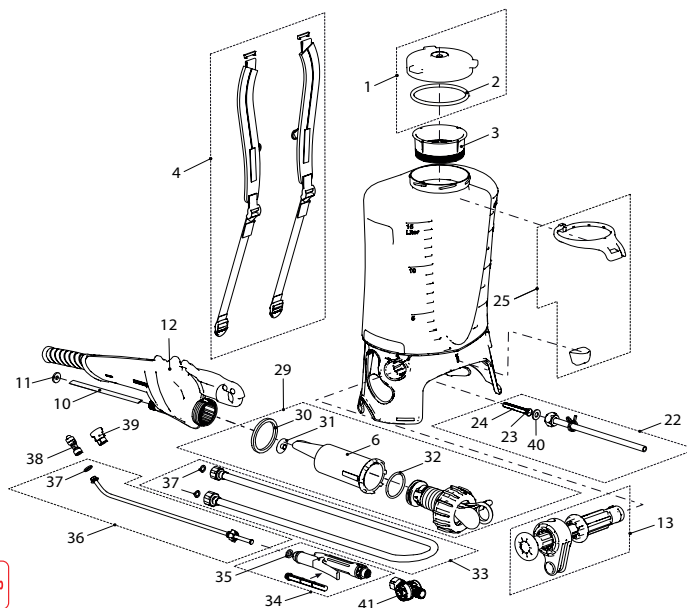
Incl. special nozzle NF 125  
and fanjet nozzle TPU 8002 PP



RPD 15 PB2



PR 3 P1



RPD 15 PB2, backpack sprayer (15 litres), with PR 3 P1

11969501

010199

**Accessories (Pictures see page 78 ff)**

Spray tube 1 m, stainless steel, G1/4"e-G1/4"e

11669802

110578

**No Gasket set consisting of:**

11954901

400525

2 Gasket 108x7

6 Cylinder

10 Suction tube L = 130 mm

11 Gasket 15x5.5x2

23 Gasket 15x7x1.5

24 Filter

30 Gasket 56x48x4

31 Pump gasket ø24 mm

32 O-ring 36.10x3.53

35 Gasket 12.2x7x3

37 Gasket 17x11x1.5

40 Gasket 16x8x2

**No Spare parts**

1 Lid ø137 mm

10397202-SB

151007

3 Filter screen

77009699-SB

151038

4 Carrying belt (pair)

11923401

113722

12 Pump lever

11920201

113913

13 Pump lever joint

11939401

113920

22 Suction tube-set

11939501

113944

25 Spray tube holder

11934001

113951

29 Pump (without pump lever)

11955101

400532

33 Hose 1.3 m, G1/2"-G1/2", oil resistant

11956301

400501

34 Trigger Profi G1/2"

10966106

110608

*Gasket set for trigger*

11664910

040851

35 Gasket 12.2x7x3; 12 pcs per pack

11642404

040042

36 Spray tube 50 cm curved, stainless steel

11669801

110622

37 Gasket 17x11x1.5; 10 pcs per pack

11927301

113739

38 Special nozzle NF 125, G1/4"i

12094201

011424

39 Fanjet nozzle G1/4"i, TPU 8002 PP, Viton (grey)

11932703

400198

41 Pressure control valve PR 3 P1

12140001

038223