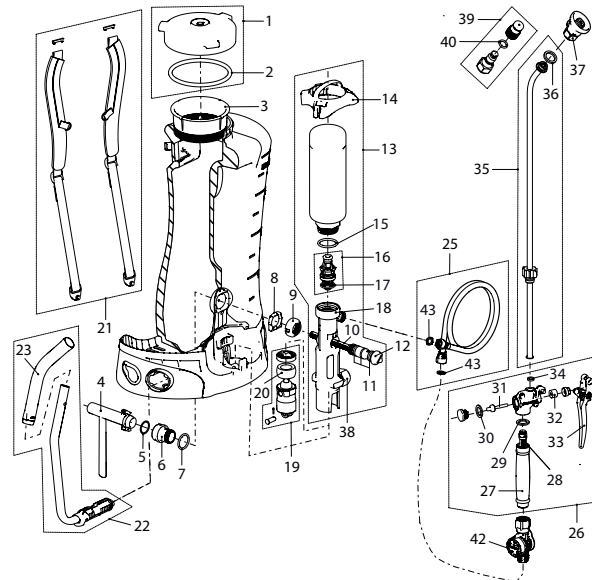




Spray-Matic 10 B



Spray-Matic 10 B, backpack sprayer (10 litres) Viton, fanjet nozzle, with PR 3 P1		12052601	010380
<b>Accessories (Pictures see page 78 ff)</b>			
Extension tube straight 1 m, brass, G1/4"i-G1/4"e		10960601	100463
Waist and chest strap set		12052501	150413
Fanjet nozzle G1/4"i, TP 8002 brass		11612810	110561
Double ended connection G1/4"e-G1/4"e (to screw the nozzle directly onto the trigger)		80400101	700564
<b>No Gasket set pump and tank consisting of: *</b>		12050901	150390
2	Gasket 108x7		
5	O-ring 22x2		
8	O-ring 26x3		
10	Filter		
13	O-ring 15x3		
15	O-ring 31.34x3.53		
17	O-ring 23.47x2.62		
<b>Gasket set spraying equipment, No 28,29,30,31,32,34,36,40,43 *</b>		12058001-SB	150260
<b>No Spare parts</b>			
1	Lid ø137 mm	10397202-SB	151007
3	Filter screen	77009699-SB	151038
4	Suction bend with o-ring (Pos.5) *	12054101-SB	150208
6	Nipple	12001301	150161
7	Anti-twist device	12001401	150154
9	Nut ø36x14 mm	12001201	150147
12	Central bolt ø27x71.9 mm	12053701	150383
13	Pump (without piston) *	12054601-SB	150215
14	Spray tube holder	12001601	150123
16	Valve insert	11388502	110691
18	Valve casing *	12057401-SB	150222
19	Piston	11051202	110707
20	Rubber piston ring ø37 mm	26200302	110714
21	Carrying belt, pair *	12054901-SB	150239
22	Pump lever curved with quick coupling (previous version refer page 30)	12054401	150246
23	Handle for pump lever	12061401	150512
24	Gasket 17x11x1.5; 10 pcs per pack	11927301	113739
25	Hose 1.3 m, G1/2"-G1/2", oil resistant	11956301	400501
26	Trigger brass LB, G1/2", 10 bar	12047501-SB	150048
27	Plastic handle G1/2"	10392201-SB	100944
28	Filter	10828301	113067
33	Lever for trigger brass LB	12046501	150116
34	Gasket 12.2x7x3; 12 pcs per pack	11642404	040042
35	Spray tube 60 cm, curved, brass	12007401	720074
36	Gasket 17x12.7x2; 10 pcs per pack	11642403	040035
37	Fanjet nozzle G1/4"i, XR 8001 VS (orange) (Spray-Matic 10 B)	11612801-SB	100289
38	Grease piston, <b>minimum order qty. 5 pcs</b>	10865201	040936
39	Adjustable nozzle 1.3 mm, brass (FloX 10 PD1 / Iris 15 PD1)	28502598-SB	100173
42	Pressure control valve PR 3 P1	12140001	038223

\* Contains additional parts to the previous versions before 2019 (backward compatibility)